

HEAVY DUTY RADIO REMOTE D-50 TRACK DRILL

D-50 Specifications

Drilling Torque: 4316-9012 ft. lbs.
Drilling Clearance with Mast Up: 20' 6"
Optional Low Overhead Drilling
Clearance: 12' 2-1/2"
Front Winch: 20,000 lbs.
Width/Length: 7' 7" by 15' 6-3/4"
Ground Pressure: 3.2 to 3.8 psi

The track carrier uses the latest in hydrostatic drive technology resulting in a carrier with low maintenance and high reliability. The heavy duty tracks are 24-inch wide heavily reinforced rubber. The ground clearance is 16 inches throughout the carrier for easy traveling through mud, snow, sand, steep slopes and wooded areas. This unit uses two-speed motors which enable the rig to negotiate a 75% grade (with the 115HP engine) in low range and travel at 5.9 MPH in high range.



D-50 Specifications

Power Source: Diesel engine

Maximum Gross Spindle Torque*:

1st gear and reverse

4316 ft. lbs. to 9120 ft. lbs.

Spindle Bore: 3 1/2" (90 mm)

Spindle Travel: 72" (1830 mm)

Pulldown & Retract Force:

Up - 21,598 lbs. (96.1 kN)

Down - 13,805 lbs. (61.4 kN)

Maximum Spindle Speed*:

622 RPM to 919 RPM

Clutch and Transmission:

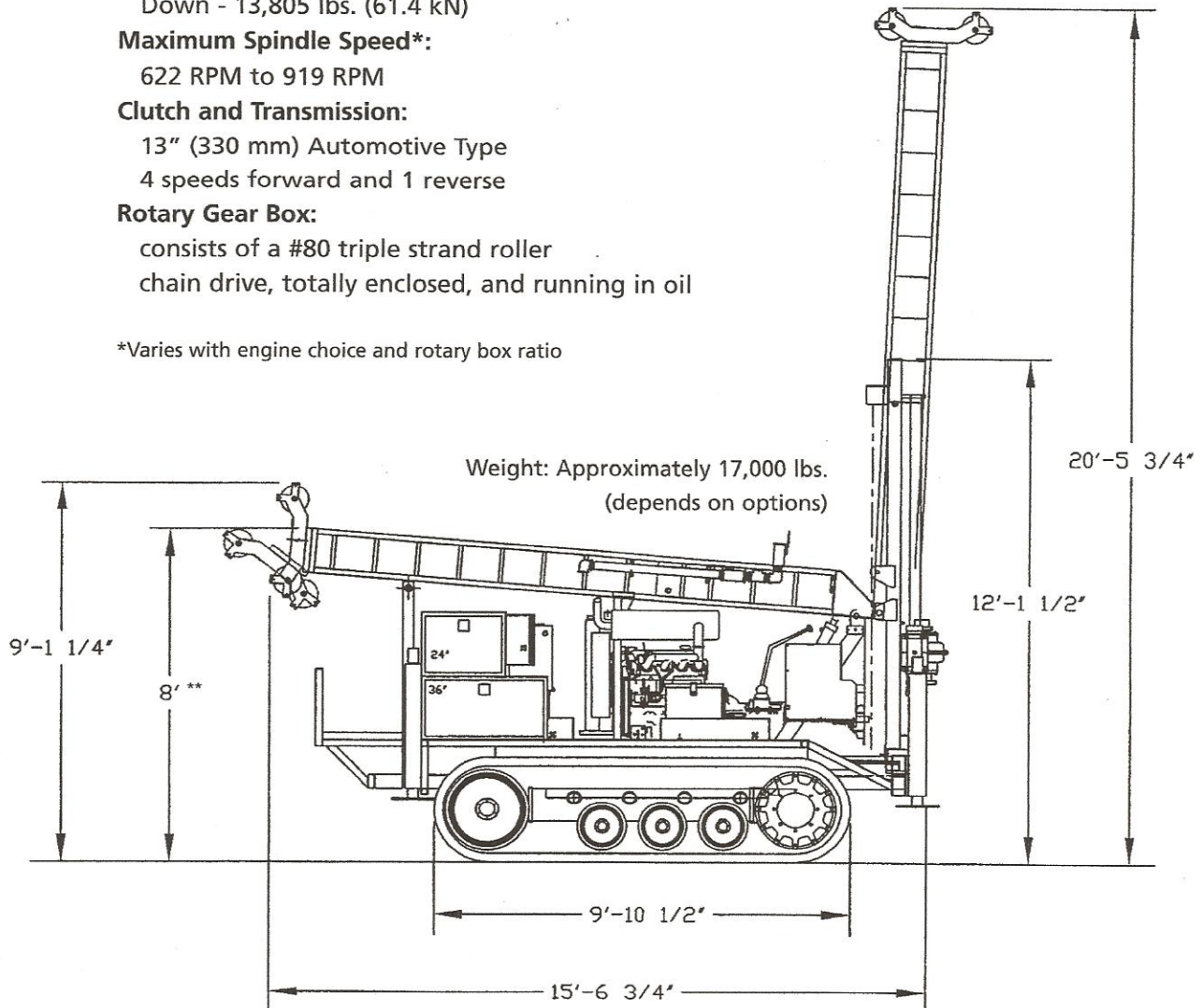
13" (330 mm) Automotive Type

4 speeds forward and 1 reverse

Rotary Gear Box:

consists of a #80 triple strand roller chain drive, totally enclosed, and running in oil

*Varies with engine choice and rotary box ratio



**With optional hinged sheave assembly